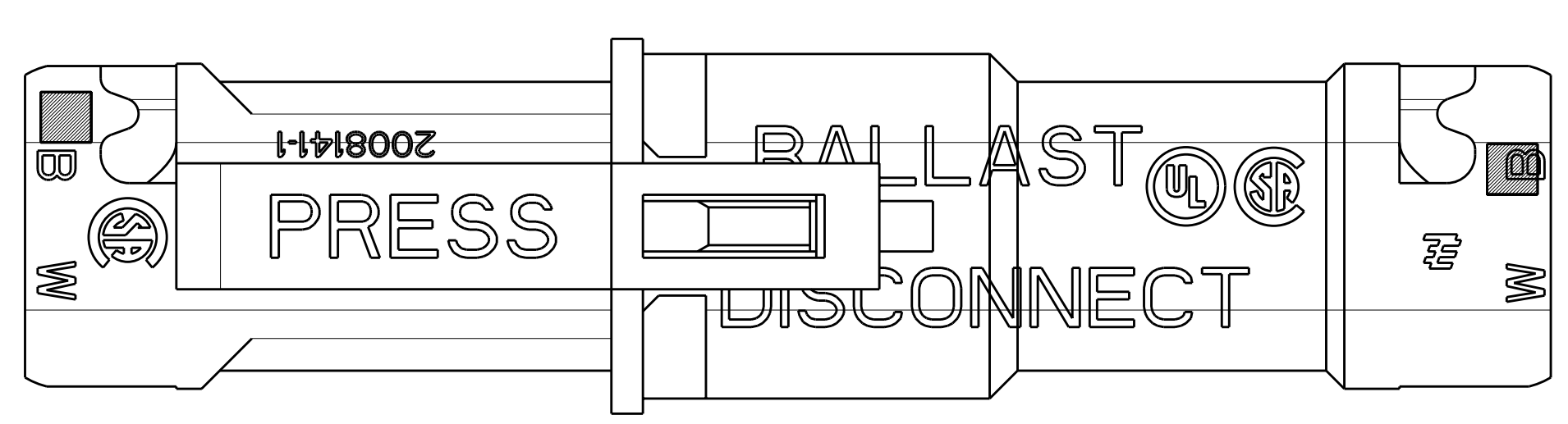
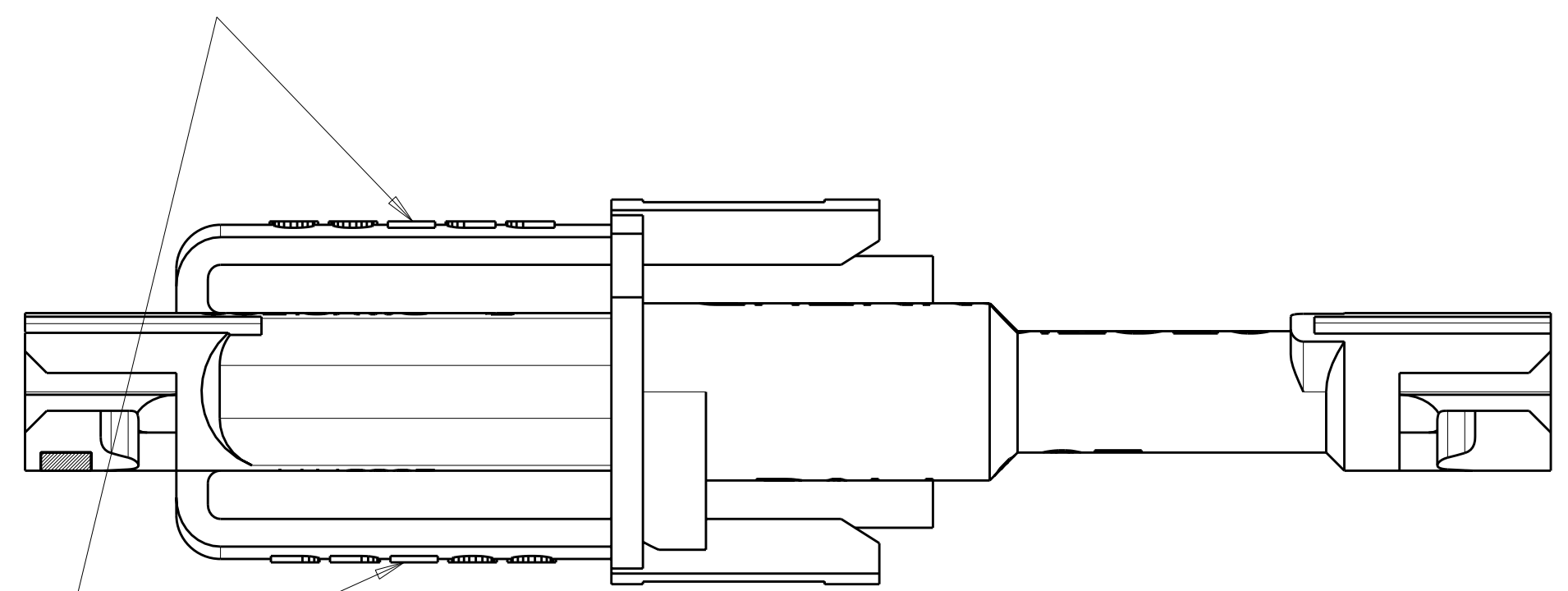
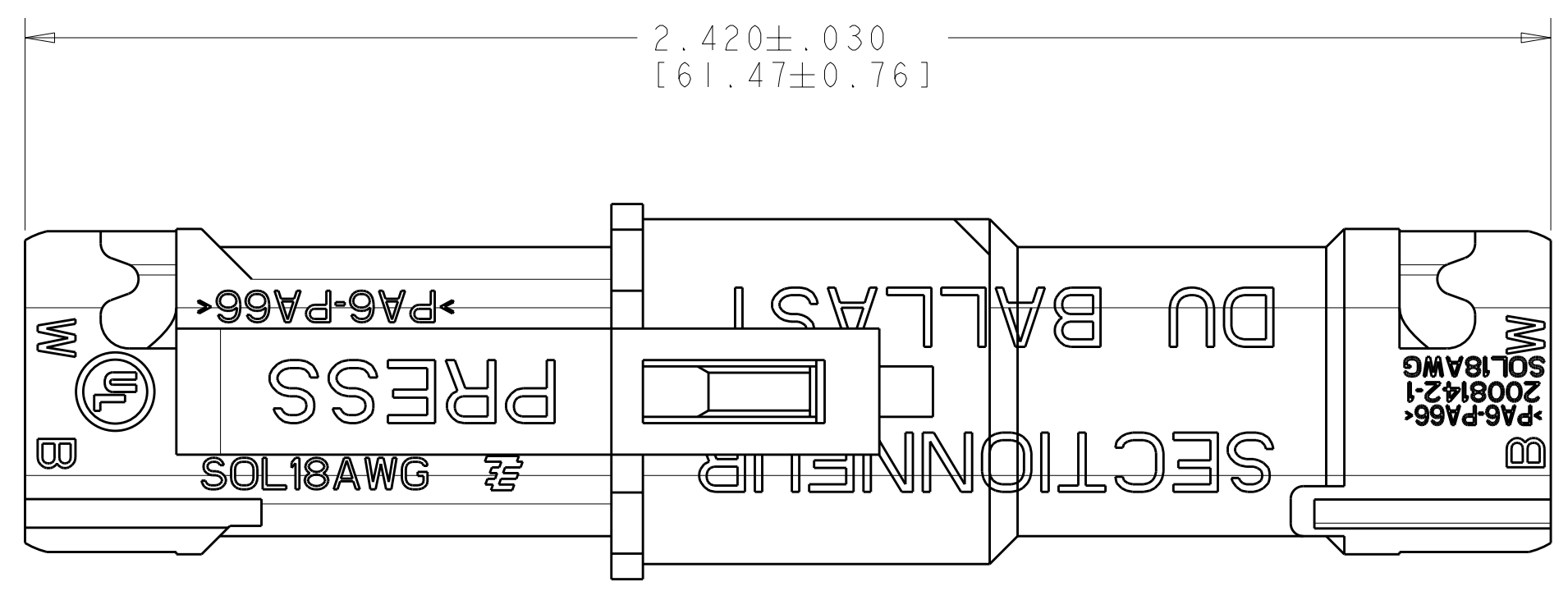
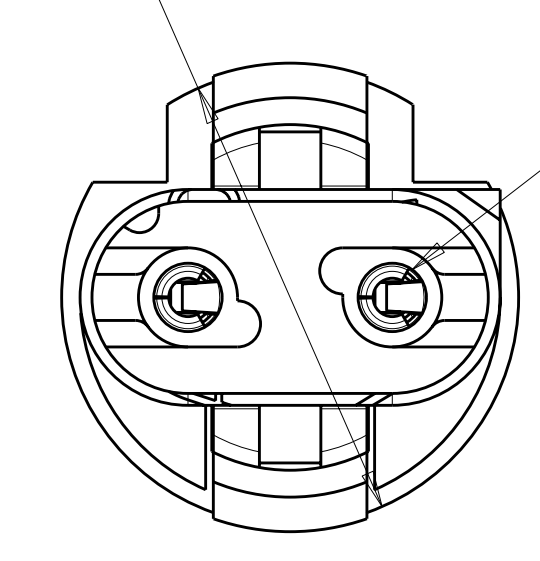


LOC	DIST	REVISIONS			
AF	50	REV	DATE	BY	APPD
		A	RELEASED PER ECO-07-025460	07 NOV 2007	JJK JJK

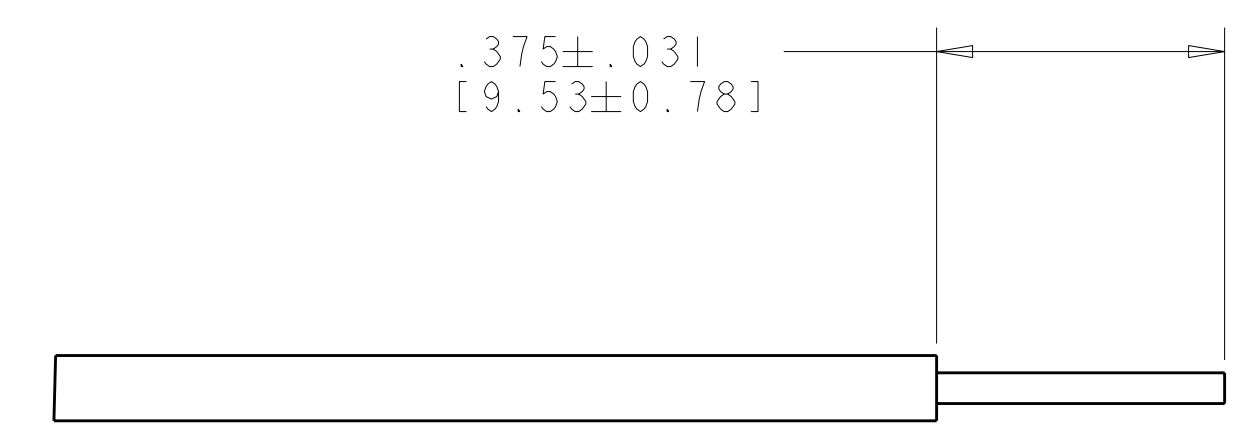


Ø .595 ± .010
[15.11 ± 0.25]

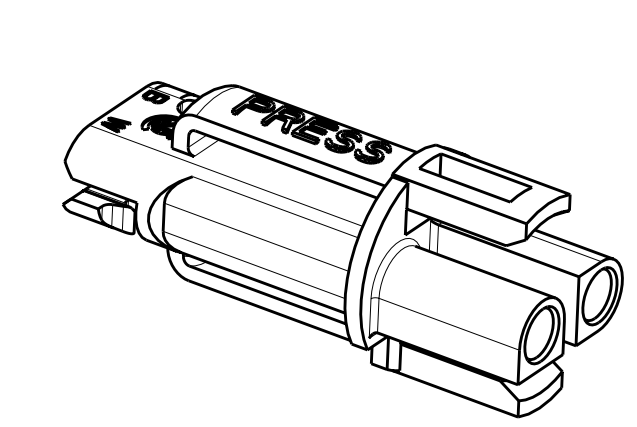


ACCEPTS 18 AWG SOLID WIRE
WITH .086 [2.18] MAX INSULATION DIAMETER
BOTH CONNECTORS

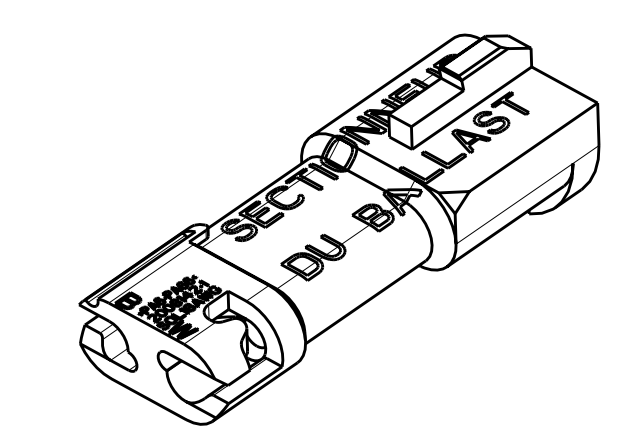
- 1. MATERIAL:
HOUSINGS: POLYAMIDE, COLOR: NATURAL
CONTACTS: PHOSPHOR BRONZE
INK: BLACK
- 2. FINISH:
CONTACTS: TIN PLATED
- 3. SEE INSTRUCTION SHEET 408-10153
- 4. THIS PRODUCT HAS NOT COMPLETED
VALIDATION TESTING.



RECOMMENDED WIRE STRIP LENGTH



PLUG CONNECTOR ASSEMBLY



RECEPTACLE CONNECTOR ASSEMBLY

2008144-1
PART NUMBER

<small>THIS DRAWING IS UNPUBLISHED. RELEASED FOR PUBLICATION BY TYCO ELECTRONICS CORPORATION. ALL RIGHTS RESERVED.</small>		DWN: C. DAILY 23APR2007 CHK: J. LANDIS 23APR2007 APVD:	Tyco Electronics Harrisburg, PA 17105-3608
DIMENSIONS: IN [mm]	TOLERANCES UNLESS OTHERWISE SPECIFIED: 9 PLC ± 8 PLC ± 5 PLC ± 4 PLC ± ANGLES ±	PRODUCT SPEC: 108-2275 APPLICATION SPEC: 114-13204 WEIGHT:	NAME: ASSEMBLY, MATED PAIR, 2 POSITION PLUG AND RECEPTACLE PT, LIGHT-N-LOK SIZE: A 00779 C=2008144 RESTRICTED TO:
MATERIAL: 1	FINISH: 2	CUSTOMER DRAWING	SCALE: 2:1 SHEET 1 OF 1 REV A